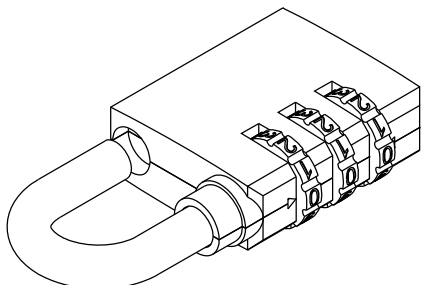


TO SET OR CHANGE YOUR COMBINATION:

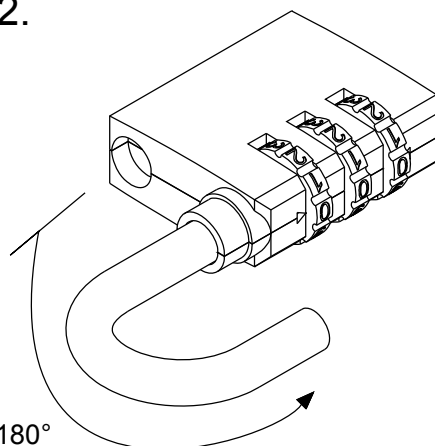
1.



This product is preset at the factory to open at 0-0-0 (3-dial) or 0-0-0-0 (4-dial). To reset your combination lock to open on your own combination.

Follow these simple steps:

2.



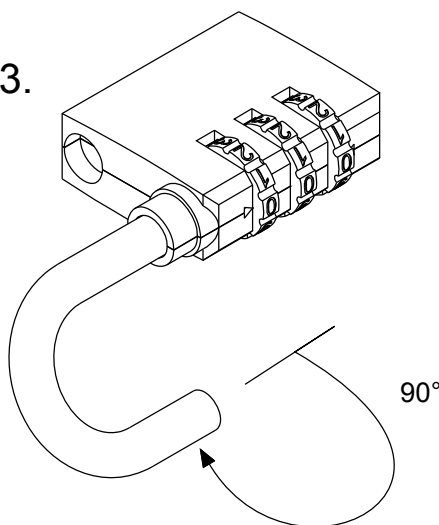
Step #1: Set the dials to 0-0-0 (3-dial) or 0-0-0-0 (4-dial) and pull out the shackle.

Step #2: Turn shackle halfway around (180°) and push in.

Step #3: Hold shackle depressed and turn (90°) (1/4 turn) in either direction.

Step #4: Set the dials to your own combination. Memorize the combination.

3.



Step #5: Without moving the dials, return the shackle to the 180° position. Pull out shackle and turn it 180°.

Step #6: Push shackle in, it should not lock. Push shackle in and turn one or more dials, the shackle should lock.

Step #7: To test, turn dials to the new combination, pull shackle open. Combination can only be changed when the lock is in the open position.



301 West Hintz Road
Wheeling, IL 60090
(800) 733-8588
info@cclsecurity.com
www.cclsecurity.com

PN: C128 REV1