

Cam Locks

15760 Cam Lock

DISC TUMBLER Can be Masterkeyed

Part#	Length	Keyed	Master Keyed	Finish	MFT PT #	Stock Quantity	Boxed Weight lbs/oz	MSRP
-------	--------	-------	--------------	--------	----------	----------------	---------------------	------

Stock Items 48 Hour Shipping:

B15760		KD		US26D	00220	25	5/9	\$8.49
B15760		AUE 1		US26D	02664	25	5/9	\$8.49
B15760		KA CAT 30		US26D	02908	25	5/9	\$8.49
B15760		KA CAT 60		US26D	02659	25	5/9	\$8.49
B15760		MKY M8003(KD)		US26D	02665	25	5/9	\$9.70
K15760		KD		US26D	00222	8	2/2	\$9.70
KB15760A		KA CAT 30		US26D	00223	8	2/2	\$9.70

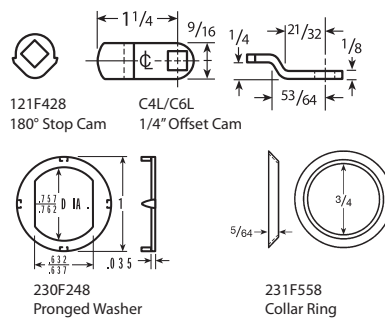
Made-to-Order Items:

15760				US4				\$10.50
15760				US26D				\$10.50
B15760				US4				\$12.60
B15760				US26D				\$12.60
C15751				US26D	099F268			\$1.38
Master Keying Charge								\$4.41

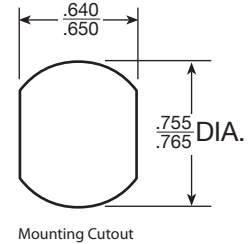
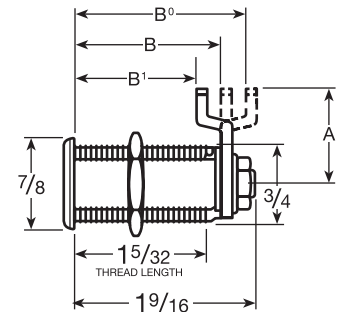
- **Material:** Pressure cast
- **Regular Key Changes:** 200 with key blank 5865JVR (5 disc), 700 with key blank 8658JVR (6 disc)
- **Masterkeyed Key Changes:** 180 with key blank 5860KS (5 disc), 700 with key blank 5861KS (6 disc)
- **Cam Positions:** Regularly furnished with cam mounted at 12 o'clock locked position. Cam may be mounted at 3, 6, 9, or 12 o'clock locked position.
- **Cam Rotation:** Regular rotation 90 degrees from 12 to 9 o'clock, key removable only in locked position at 12. Also available with 180 degree rotation from 12 to 6 o'clock so key can be withdrawn in both locked and unlocked positions.
- **Cylinder:** Slabbed on both sides

- **B15760:** Lock is Polybagged and in US26D finish. The parts included with Camlock are CDL cam, 2 keys, 180 degree stop cam, 1/4" Offset cam, Pronged washer and Collar ring.

B15760 Package Includes:



15760



Mounting Cutout

Cam No.	Cam Length	Distance Under Head to Cam		
		B	B ¹	B ⁰
C2S	7/8"	1-1/4"		
C2L	1-1/4"	1-1/4"		
C3S	7/8"		1-1/8"	
C3L	1-1/4"		1-1/8"	
C4S	7/8"		1"	
C4L	1-1/4"		1"	
C5S	7/8"			1-3/8"
C5L	1-1/4"			1-3/8"
C6S	7/8"			1-1/2"
C6L	1-1/4"			1-1/2"

*Specify cam required on order, i.e., 15751 x C2S.

Bulk Items for 15751 | 15752 | 15760 Cam Locks

Part#	MFT PT #	MSRP
-------	----------	------

Stock Items 48 Hour Shipping:

180° Stop Cam	121F4280002G	\$1.38
C4L/C6L – 1/2" Offset Cam	026F2180002G	\$1.44
Pronged Washer	230F2480002G	\$1.44
Collar Ring	231F2580002G	\$1.44

