

Cam Locks

C520L Die Cast Brass Tubular Cam Lock

PIN TUMBLER Cannot be Masterkeyed

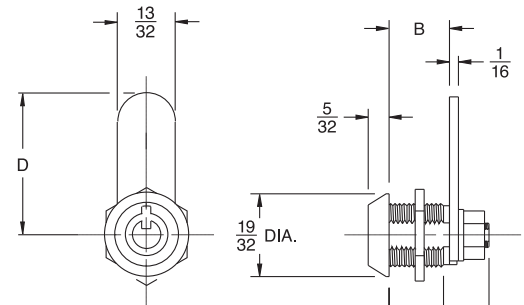
Part#	Length	Keyed	Master Keyed	Finish	MFT PT #	Stock Quantity	Boxed Weight lbs/oz	MSRP
Stock Items 48 Hour Shipping:								
C520XS	.295"	KA601		US26		10	.9/0	\$8.40
C520XS	.295"	KD		US26		10	.9/0	\$8.40
C520S	13/32"	KA601		US26		10	.9/0	\$8.40
C520S	13/32"	KD		US26		10	.9/0	\$8.40
C520M	1/2"	KA601		US26		10	.9/0	\$8.40
C520M	1/2"	KD		US26		10	.9/0	\$8.40
C520L	5/8"	KA601		US26	52001	10	.9/0	\$8.40
C520L	5/8"	KD		US26	52020	10	.9/0	\$8.40

- **Material:** Zinc die cast
- **Operation:** Push key and turn 90 degrees to desired position for locking and unlocking. Key removeable at 12:00 position only.
- **Specifications:** Miniature tubular cam lock with removable style cam only. Engineered for use in metal or fiberglass products.

- **Mechanism:** 4 Pin tumbler mechanism utilizing a tubular key which offers 150 combinations.
- Compact Design – Fits Tight Spaces
- Standard chamfered head design

All In-Stock Cam Locks Supplied with following Hardware:

- Cam Nut
- Mounting Nut
- 1-1/8" x 1/8" Offset Cam
- 1-1/8" straight cam



Lock #	B	C	D	E
C520XS	.295"	.248"	1-1/8"	.448"
C520S	13/32"	11/32"	1-1/8"	21/32"
C520M	1/2"	7/16"	1-1/8"	3/4"
C520L	5/8"	9/16"	1-1/8"	7/8"

