

## 904 Padlocks Pin Tumbler Solid Brass

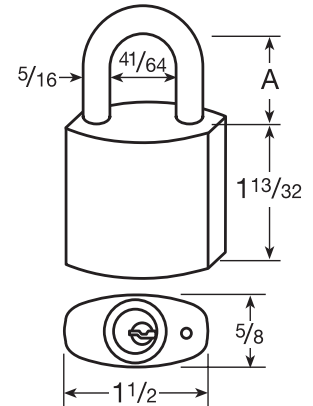
Part#	UPC Code	(A) Shackle Clearance	Shackle Material	Keyed	Body Width	# of Pins	MFG PT #	Shelf Pack	MSRP
<b>Stock Items 48 Hour Shipping:</b>									
904	021919001384	3/4"	Hardened Steel, Chrome Plated	KD	1-1/2"	5/6	02111	10	\$43.89
904	021919021115	3/4"	Hardened Steel, Chrome Plated	KA BAZ163	1-1/2"	5/6	00138	10	\$43.89
<b>Made-To-Order 2-4 Week Lead Time:</b>									
904		3/4"	Hardened Steel		1-1/2"	5/6			\$46.20
0904-CR		3/4"	Brass	CR	1-1/2"	5/6	0904505		\$46.20
0904-R1		3/4"	Brass	R1	1-1/2"	5/6	0904519		\$46.20
0904-R4		3/4"	Brass	R4	1-1/2"	5/6	0904522		\$46.20
0904		3/4"	Brass		1-1/2"	5/6			\$46.20
0904S-CR		1-1/4"	Brass	CR	1-1/2"	5/6	09045505		\$48.51
0904S-R1		1-1/4"	Brass	R1	1-1/2"	5/6	09045519		\$48.51
0904S-R4		1-1/4"	Brass	R4	1-1/2"	5/6	09045522		\$48.51
0904S-R4-Chain		1-1/4"	Brass	R4	1-1/2"	5/6	09045C522		\$52.91
0904S		1-1/4"	Brass		1-1/2"	5/6			\$48.51
904H-CR		2-1/2"	Hardened Steel		1-1/2"	5/6	904H505		\$49.67
904H-R1		2-1/2"	Hardened Steel		1-1/2"	5/6	904H519		\$49.67
904H-R4		2-1/2"	Hardened Steel		1-1/2"	5/6	904H522		\$49.67
904H		2-1/2"	Hardened Steel		1-1/2"	5/6			\$49.67
2217N			Zinc Plated Chain				422L838144		\$4.34
02217N			Brass Dipped Chain				422L832144		\$4.81
			Master Keying Charge						\$4.62

- **Keywords Available:** CR, R1, R4, VR
- **Number of Pin Tumblers:** 5 or 6
- **Regular Key Changes:** All different
- **Master Keying:** Available when specified on order
- **Special Stamping:** Available with case stamped to customer requirements when specified on order (\$3.15)
- Can be keyed to #2 and 1103 keycodes

- **Chain:**
  - 904 Series: Available with 9" chain
  - Steel shackle with 2217N chain assembly
  - Brass shackle with 02217N chain assembly
  - Specify on order using suffix "C" (e.g., 904C)
- Unassembled padlocks available in this series
- **Keyblank:** 8618C
- Product of USA

### 9-inch Chain Assemblies for CCL Padlocks

Number	Used with Padlock Series	Material	For Shackle Diameter	Weight per pack of 10 (lbs./oz.)
2217N	904, 436, 437, 500, 95, 66	Steel, zinc plated	0.312	0/8
02217N	0904, 0436, 0437	Brass, dipped	0.312	0/8
2223N	906	Steel, zinc plated	0.375	0/10
02223N	0906	Brass, dipped	0.375	0/10



### > Raw Materials

